

# **Bostrom**<sup>®</sup>

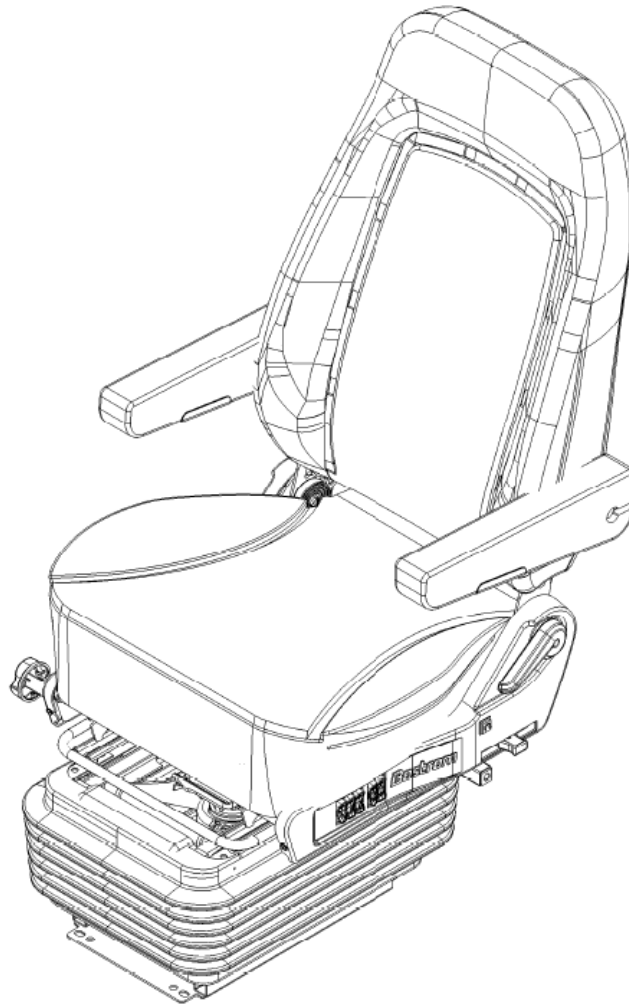
**S E A T I N G**

**WIDE RIDE II SEAT**

(OPTIONAL) DRIVER / PASSENGER SWIVEL, ADJUSTABLE ARMREST, AUTO LEVEL AND HEAT / VENT.

## **OPERATION AND SERVICE PARTS MANUAL**

**This seat conforms to FMVSS 207 and 302 in effect  
on the date of manufacture**



**HIGH PROFILE SEAT**

**CATALOG NO.**

**1204944-001**

**REV B**

# OPERATION WARNING

## WARNING

SERIOUS INJURY MAY OCCUR IF HEAD CLEARANCE IS NOT ADEQUATE. BEFORE DRIVING OR RIDING IN VEHICLE, ENSURE THAT THERE IS ADEQUATE HEAD CLEARANCE AT THE MAXIMUM UPWARD TRAVEL OF SEAT. SEE OPERATION MANUAL.

To check for adequate head clearance, sit in the seat and slowly raise it to its maximum upward position (See Comfort Adjustments).

**SEAT BELTS SHOULD BE WORN AT ALL TIMES WHEN OPERATING THE VEHICLE.**

### **Federal Motor Vehicle Safety Standard**

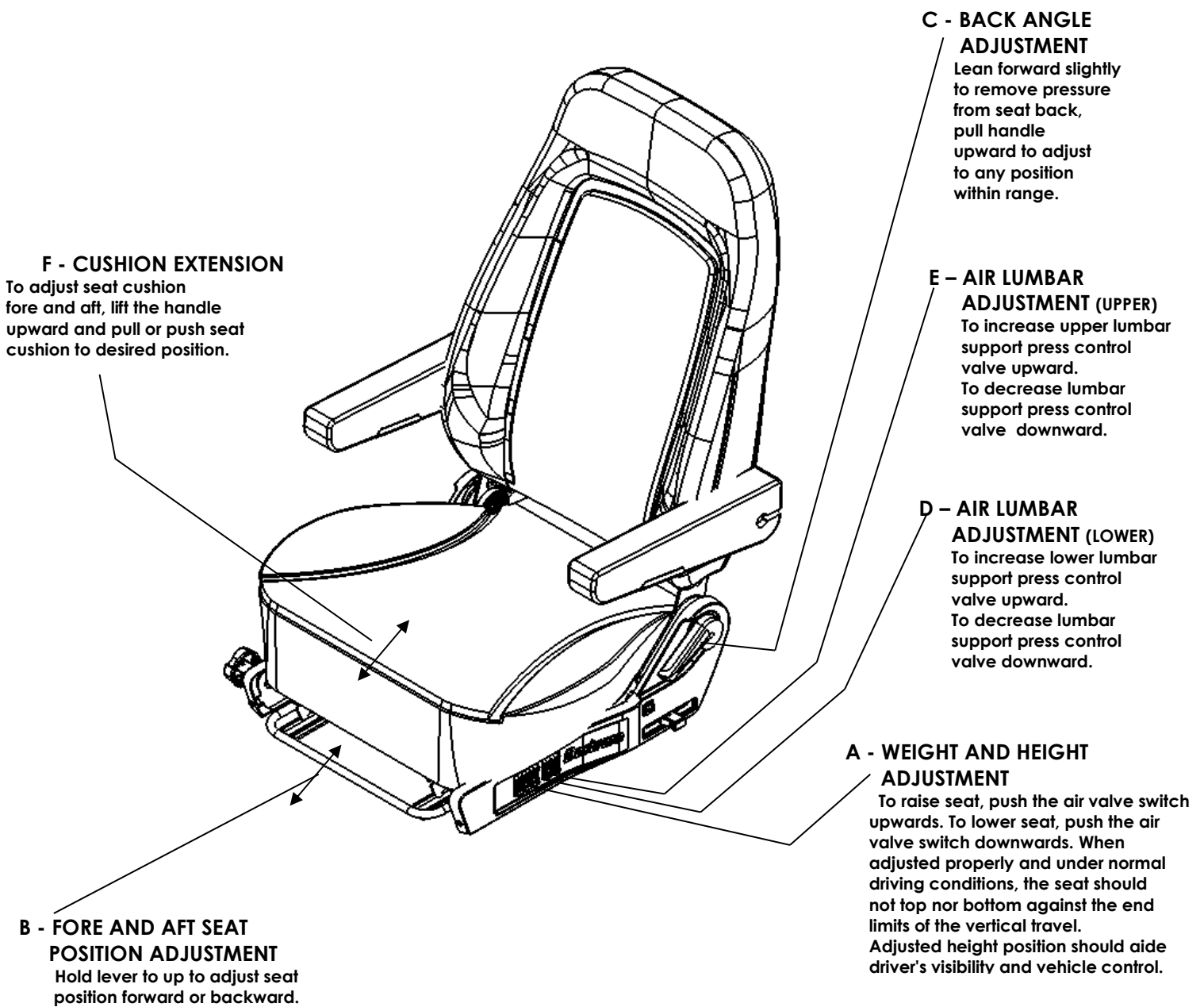
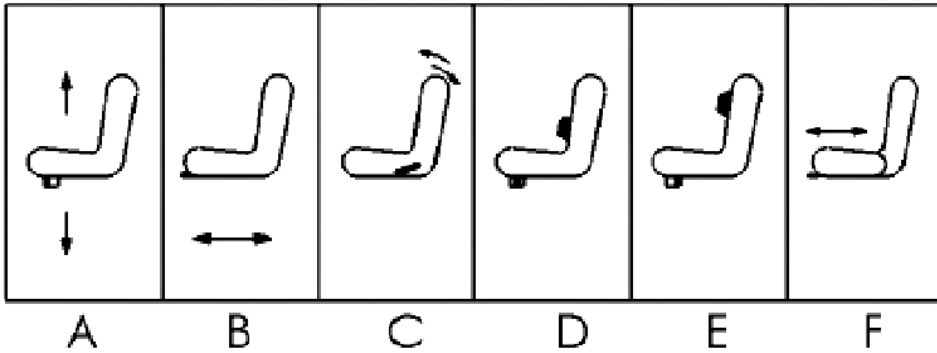
This seat conforms to Federal Motor Vehicle Safety Standards (FMVSS) 207 and 302 in effect on the date of manufacture.

It is the responsibility of the installer to ensure that the proper seat fastening hardware and seat belt anchorages (seat belt and tether belt system) are used in accordance with FMVSS 209 and 210.

To achieve compliance with FMVSS 207, use only high-strength fasteners and heavy-duty washers, or high-strength flange head bolts when installing the seat assembly

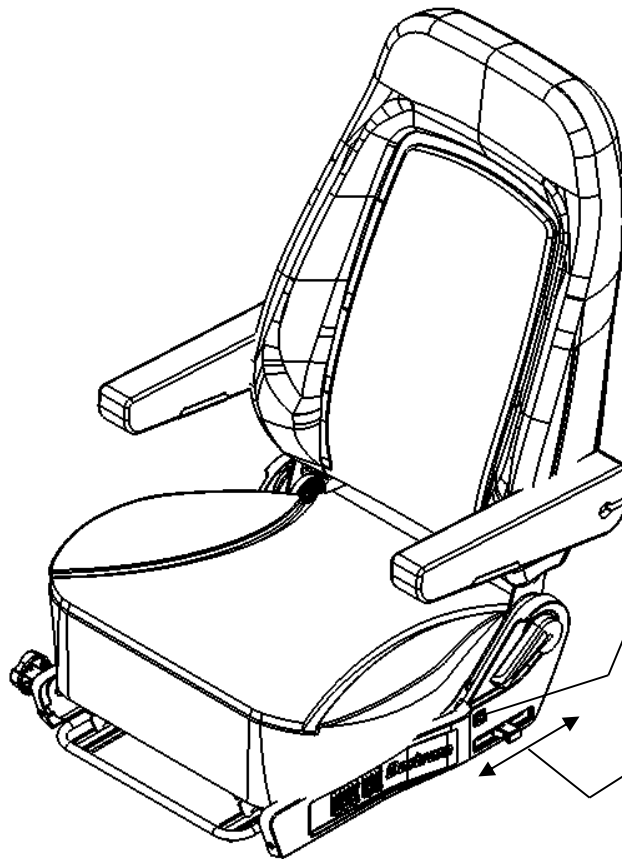
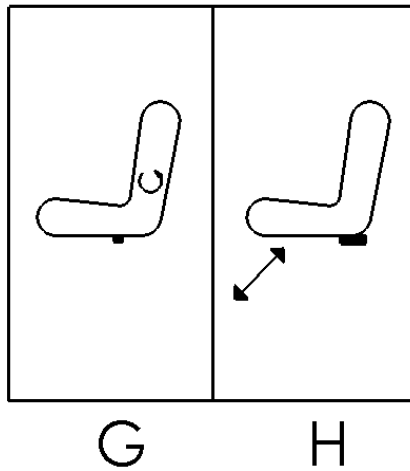
# COMFORT ADJUSTMENTS

After installation the following comfort adjustments can be made to ensure the best performance.



# COMFORT ADJUSTMENTS

After installation the following comfort adjustments can be made to ensure the best performance.



## **G – BACK CYCLER**

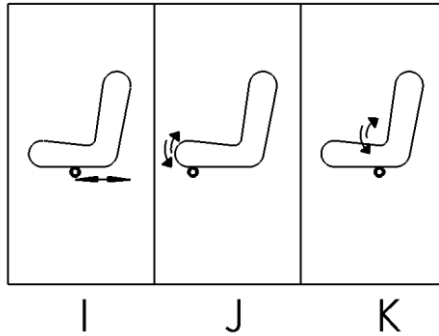
To reduce back pain and fatigue press back cycler switch, a controlled bladder inflates and deflates at a regular interval.

## **H- ADJUSTABLE DAMPER CONTROL**

To adjust dampening of Suspension push or pull damper adjustment handle.

# COMFORT ADJUSTMENTS

After installation the following comfort adjustments can be made to ensure the best performance.



**K - SEAT CUSHION  
TILT ADJUSTMENT-REAR**  
Rotate seat tilt knob  
to decrease or  
increase rear seat tilt.

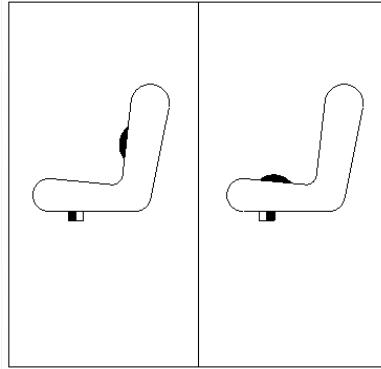
**J - SEAT CUSHION  
TILT ADJUSTMENT-FRONT**  
Rotate seat tilt knob  
to decrease or  
increase front seat tilt.

**I - FORE AND AFT ISOLATION**  
Isolation is provided  
when the knob rotated counter  
clock direction



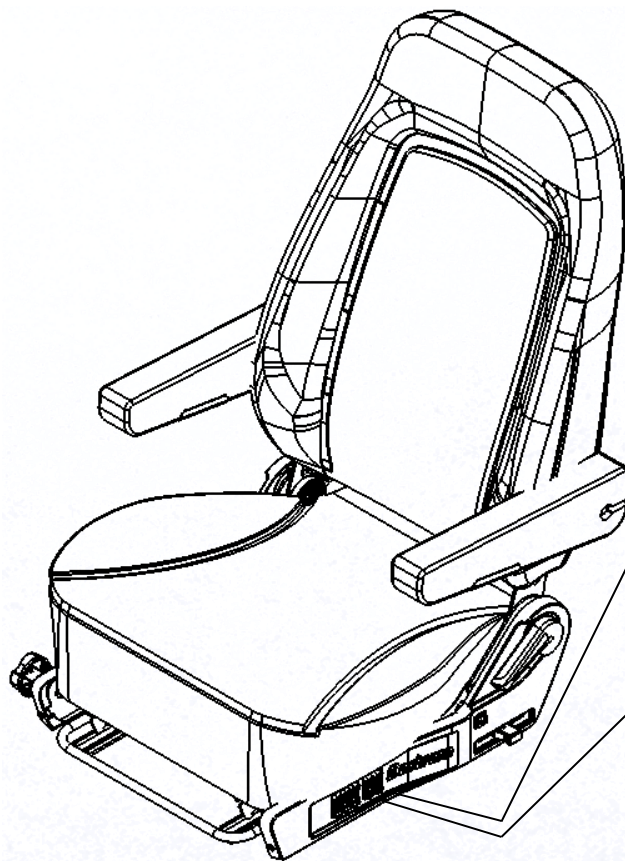
# COMFORT ADJUSTMENTS

After installation the following comfort adjustments can be made to ensure the best performance.



L

M



## M – CUSHION BOLSTER

To increase cushion bolster Support, press bolster switch upward.  
To decrease cushion bolster Support, press bolster switch downward.

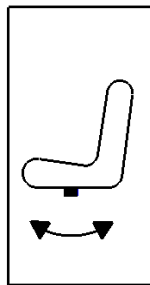
## L – BACK BOLSTER

To increase back bolster Support, press bolster switch upward.  
To decrease back bolster support, press bolster switch downward.

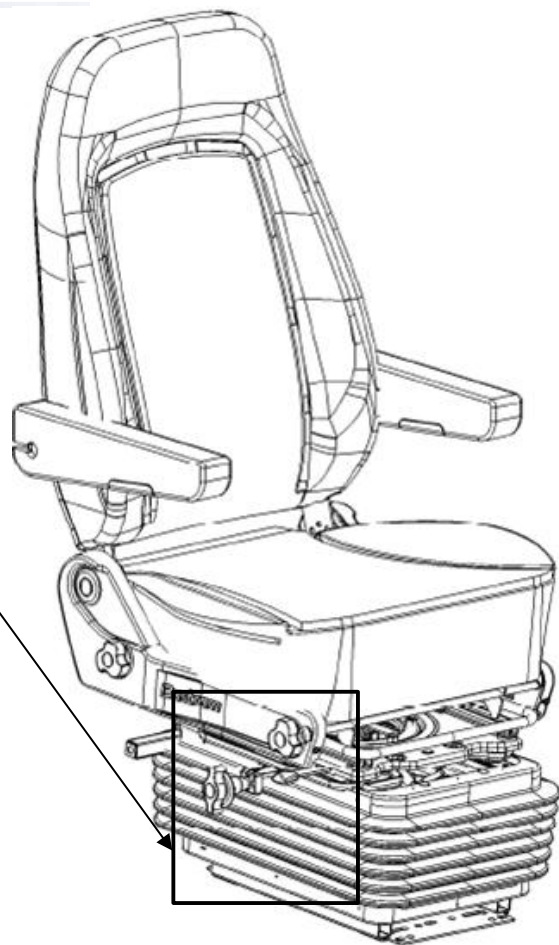
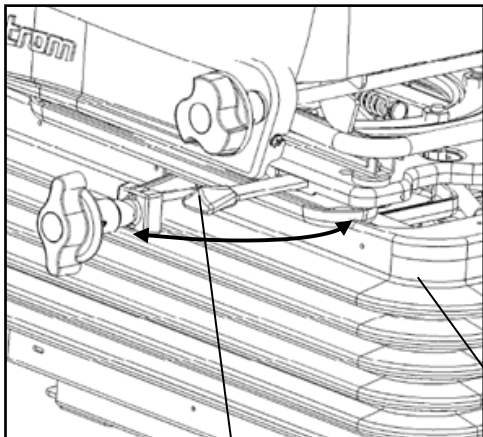
# BOSTROM WIDE RIDE II

## SEAT SWIVEL OPERATION

**▲ WARNING** THE SWIVEL FEATURE OF THIS SEAT IS INTENDED SOLELY FOR OPERATION WHEN THE VEHICLE IS NOT IN MOTION. WHEN THE VEHICLE IS MOVING, THE SEAT MUST BE LOCKED IN THE FORWARD FACING POSITION AND THE SEAT BELT WORN FOR MAXIMUM OCCUPANT SAFETY.



N



### N – SWIVEL OPTION

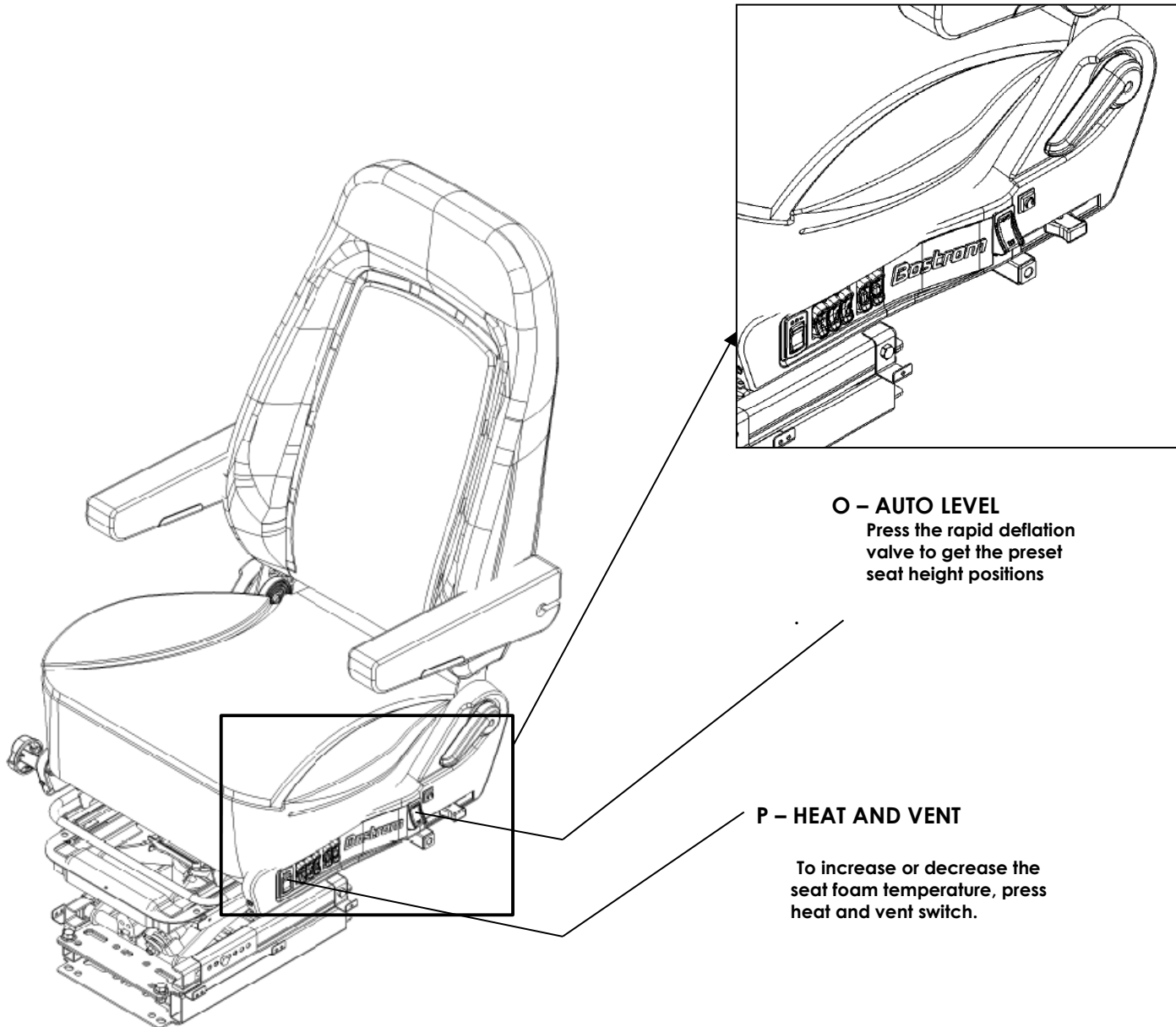
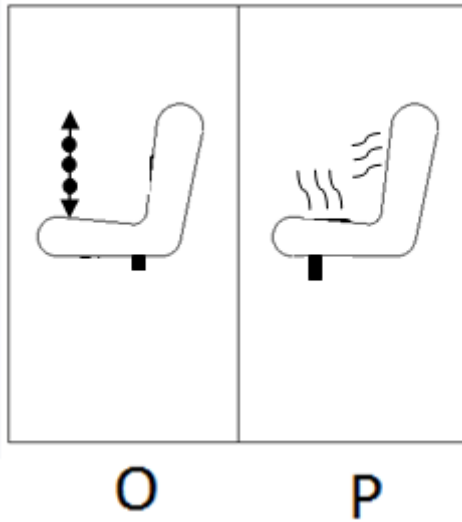
To rotate the top seat push back swivel handle and adjust seat with desired position, then move swivel handle front for lock.

## SWIVEL OPERATION SEQUENCE SUMMARY

1. OUTBOARD ARMREST DOWN
2. BACK NEAR VERTICAL POSITION
3. ADJUST FORE/AFT AS REQUIRED
4. CHECK ARM AND BACK CLEARANCE
5. READJUST SEAT AND BACK AS DESIRED

# COMFORT ADJUSTMENTS

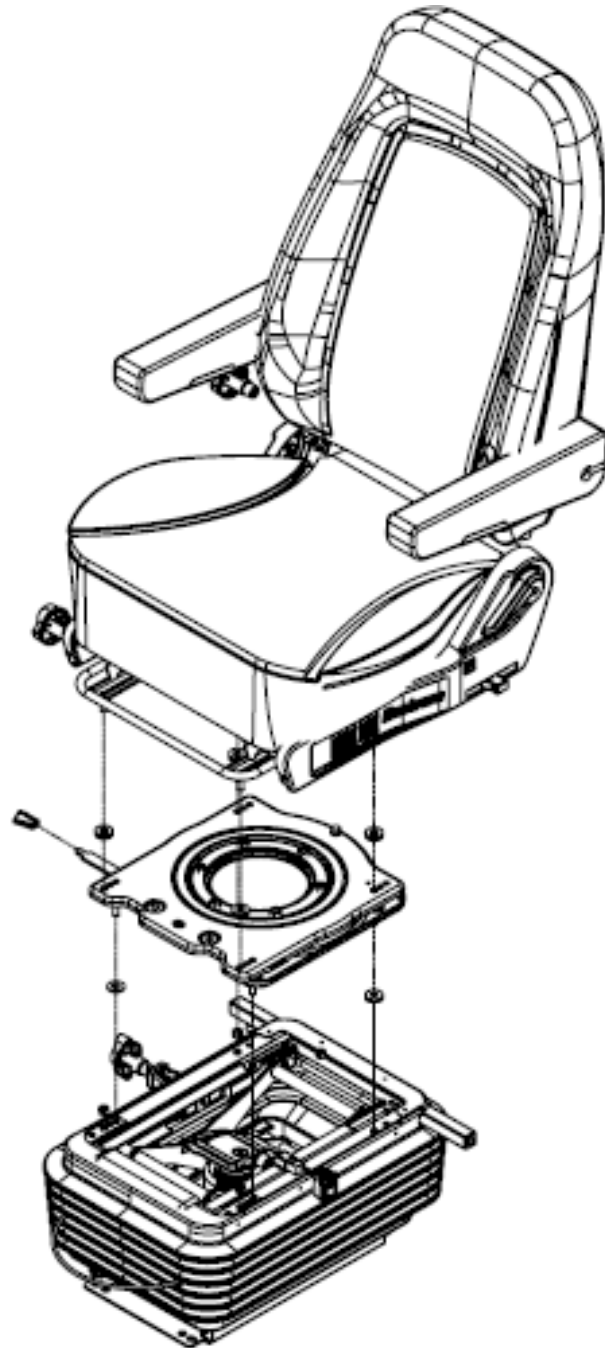
After installation the following comfort adjustments can be made to ensure the best performance.





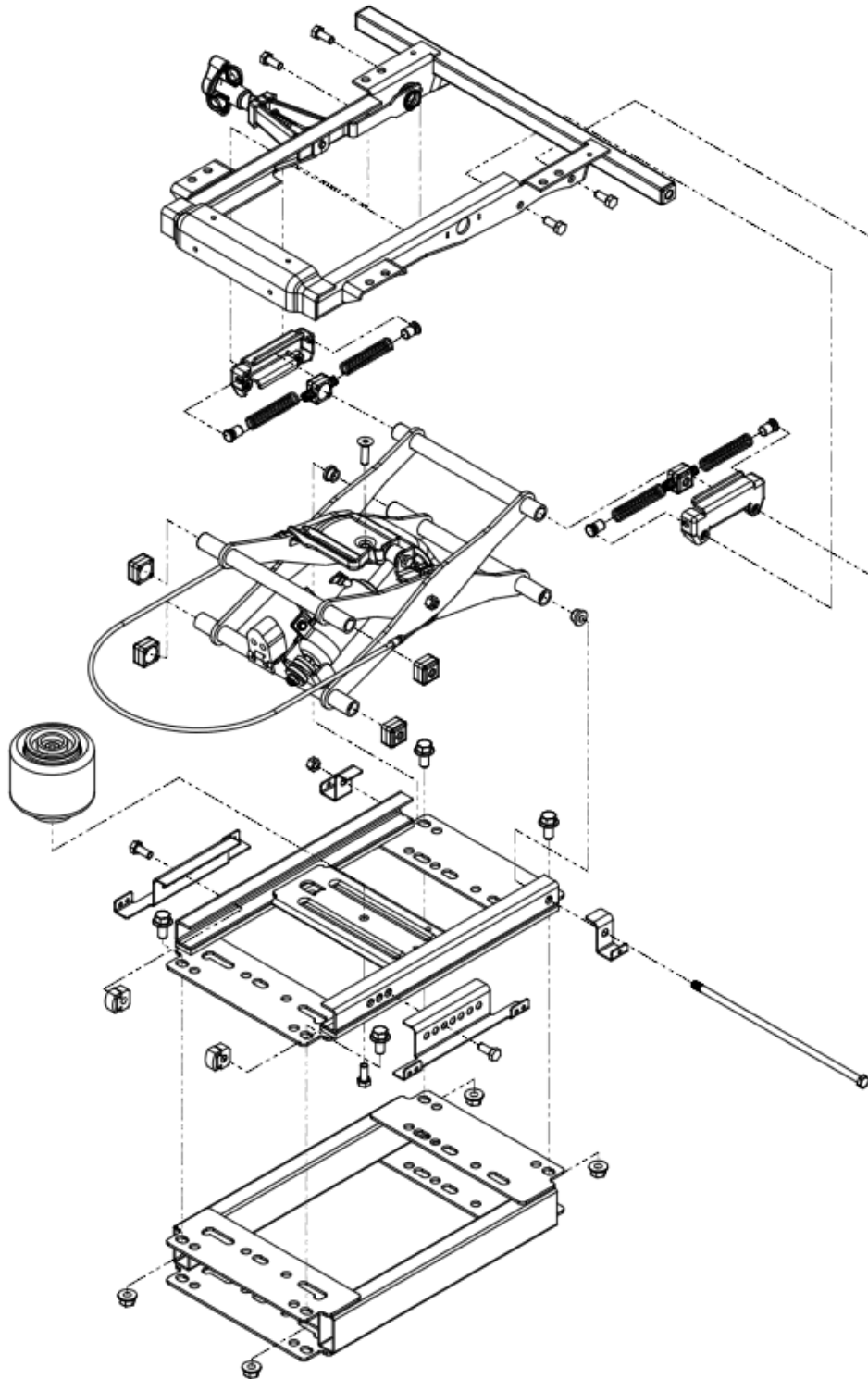
# BOSTROM WIDE RIDE II

## SWIVEL ASSEMBLY-EXPLODE VIEW

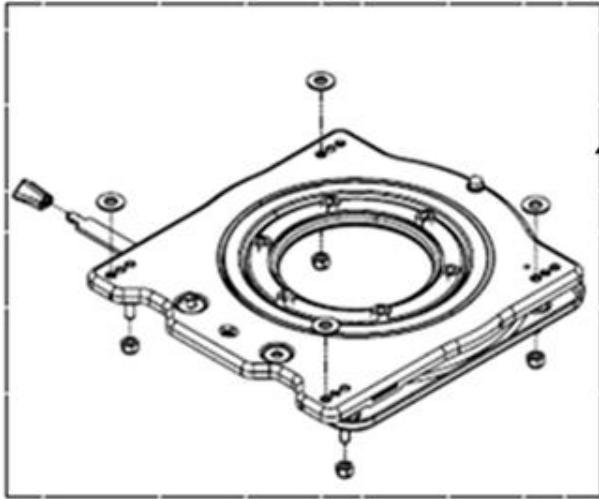


# BOSTROM WIDE RIDE II

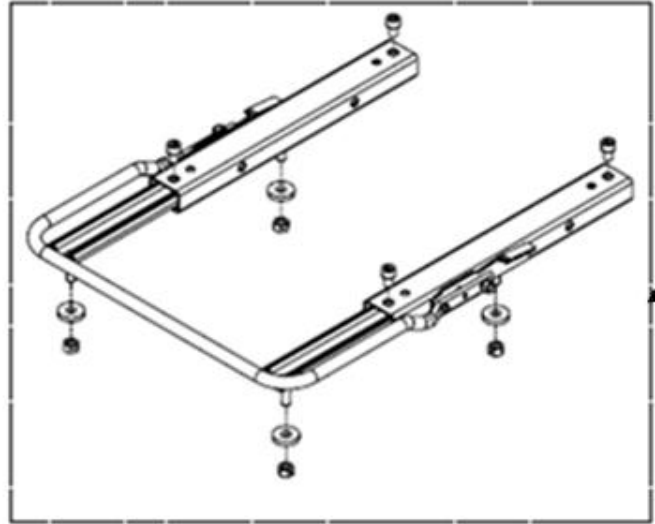
## SUSPENSION ASSEMBLY-EXPLODE VIEW



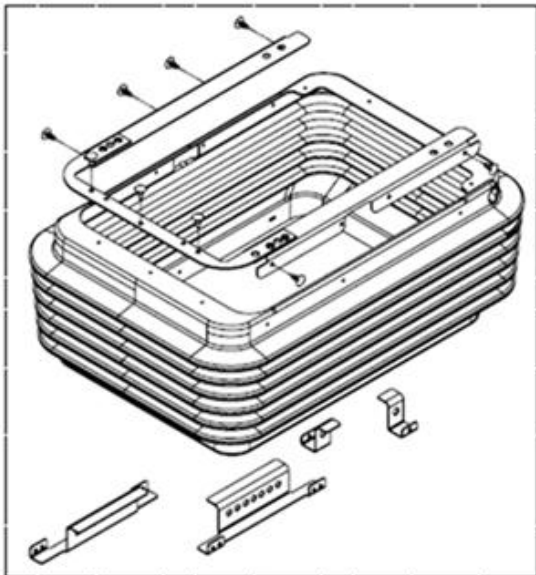
# ILLUSTRATED PARTS BREAKDOWN



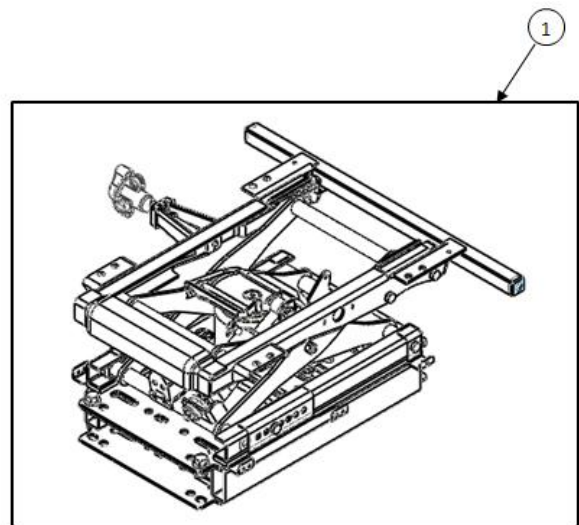
SWIVEL ASSEMBLY KIT



TRACK ASSEMBLY KIT

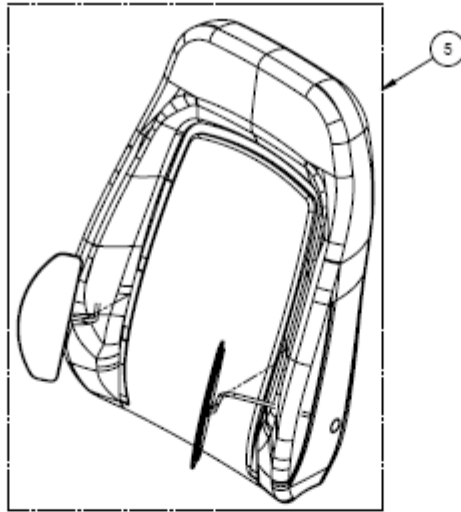


SUSPENSION COVER KIT

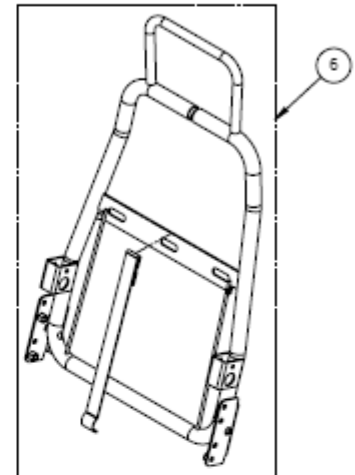


HIGH PROFILE SUSPENSION W/ISOLATION ASSEMBLY KIT

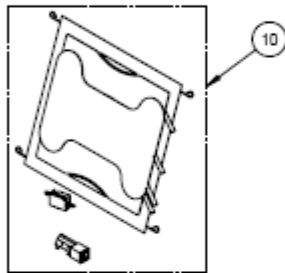
# ILLUSTRATED PARTS BREAKDOWN



HIGH BACK FOAM ASSEMBLY KIT



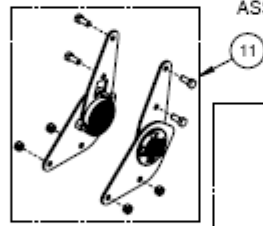
HIGH BACK FRAME ASSEMBLY KIT



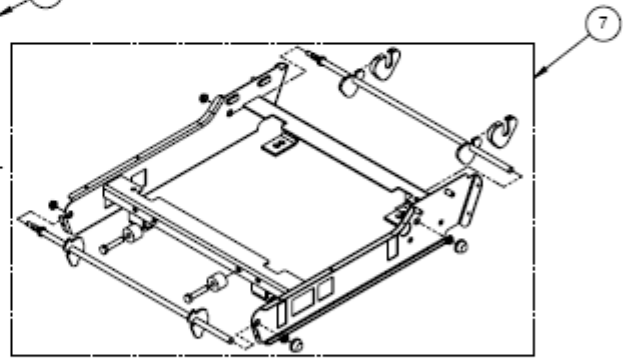
LUMBAR W/ BACK CYCLER KIT



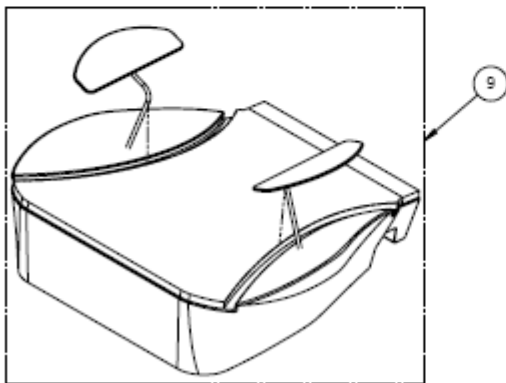
RECLINER STOP ASSEMBLY KIT



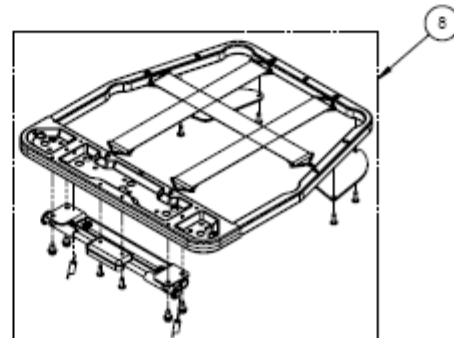
RECLINER ASSEMBLY KIT



CUSHION FRAME SUPPORT ASSEMBLY KIT

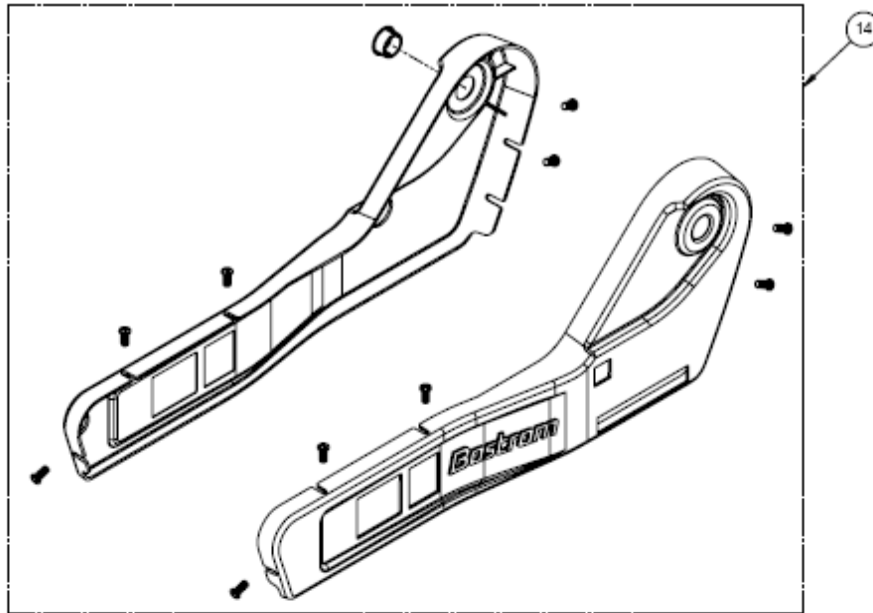


CUSHION FOAM ASSEMBLY KIT

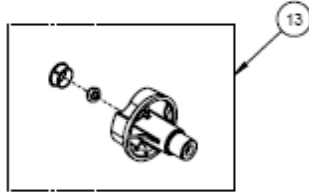


CUSHION FRAME ASSEMBLY KIT

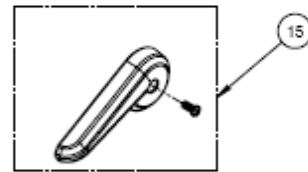
# ILLUSTRATED PARTS BREAKDOWN



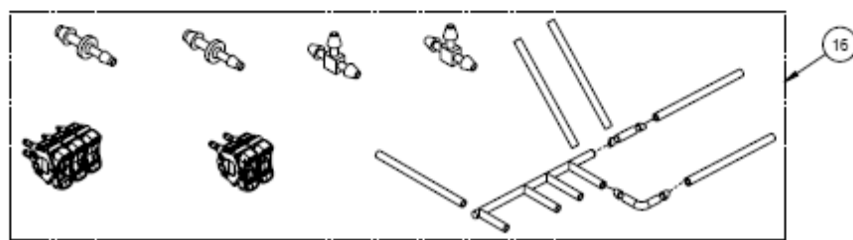
SIDE SHIELD KIT



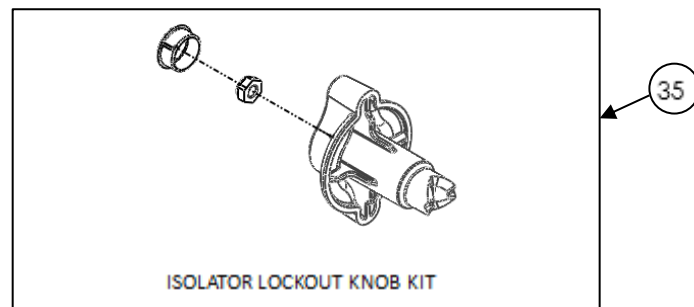
TILT KNOB KIT



RECLINER HANDLE KIT

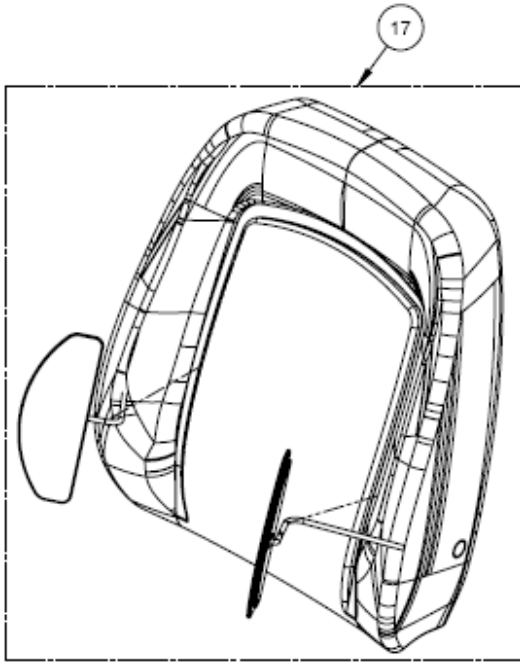


VALVES AND MANIFOLD KIT

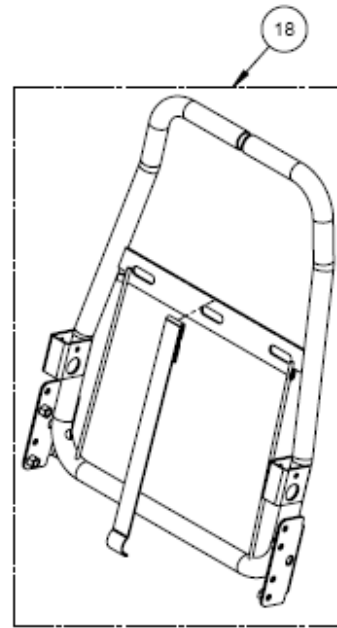


ISOLATOR LOCKOUT KNOB KIT

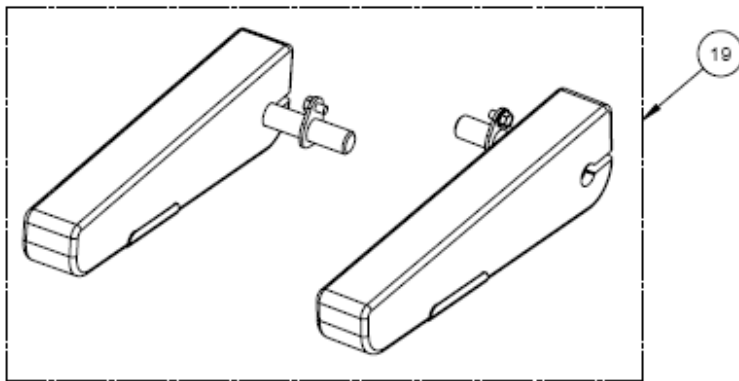
# ILLUSTRATED PARTS BREAKDOWN



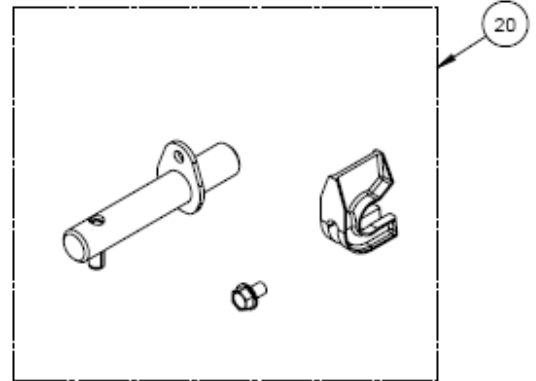
MID BACK FOAM ASSEMBLY KIT



MID BACK FRAME ASSEMBLY KIT

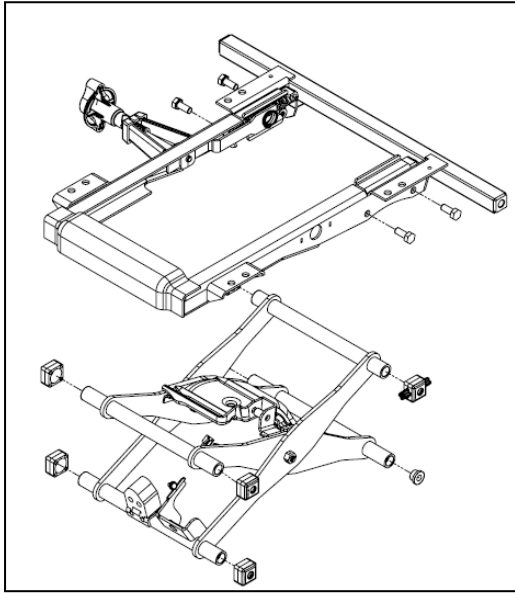


ARMREST ASSEMBLY KIT



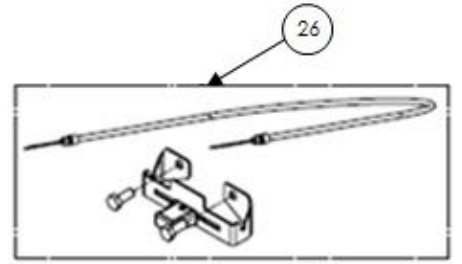
ARMREST ATTACHMENT HARDWARE KIT

# ILLUSTRATED PARTS BREAKDOWN

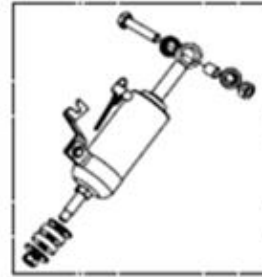


SCISSOR AND ISOLATOR ASSEMBLY KIT

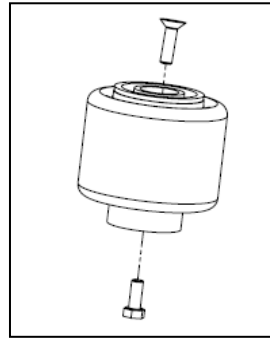
21



SEAT CONTROL CABLE WITH BRACKET ASSEMBLY KIT

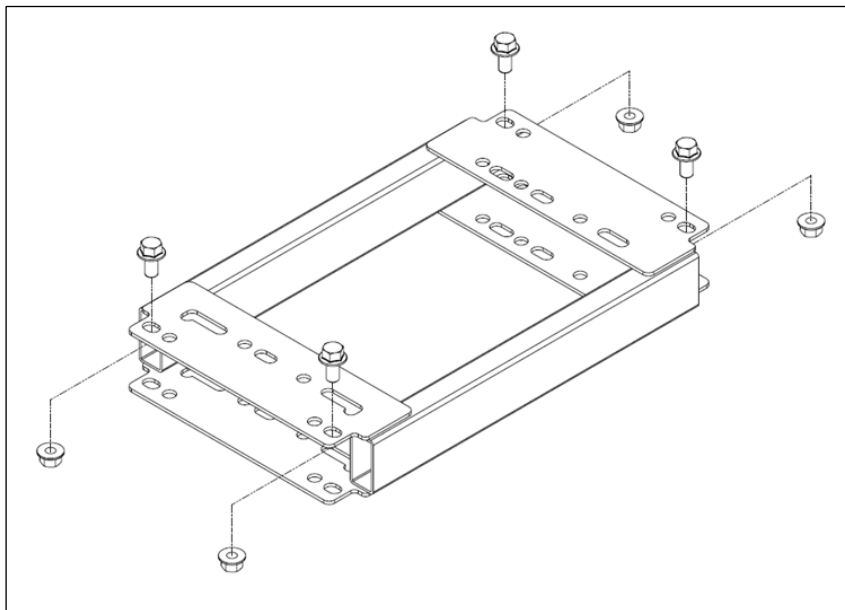


ADJUSTABLE SHOCK ABSORBER ASSEMBLY KIT



AIR SPRING ASSEMBLY KIT

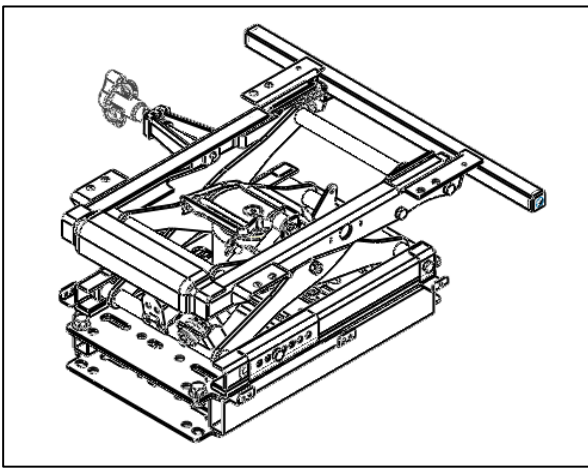
24



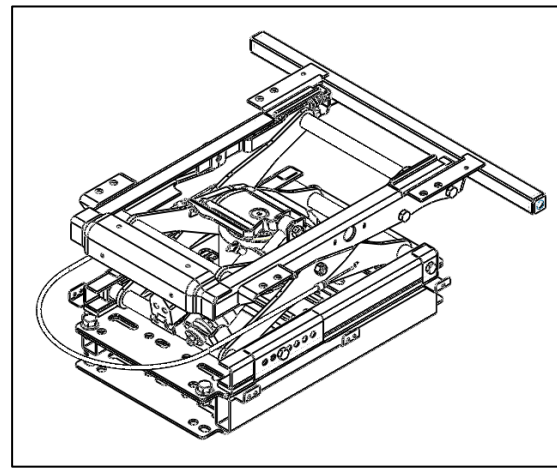
2 INCH RISER ASSEMBLY KIT

22

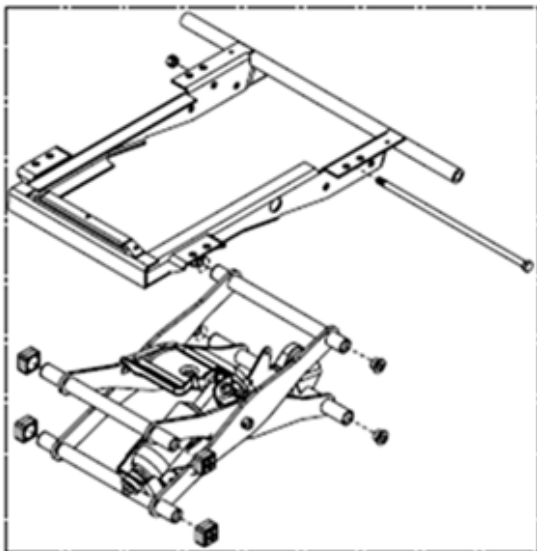
# ILLUSTRATED PARTS BREAKDOWN



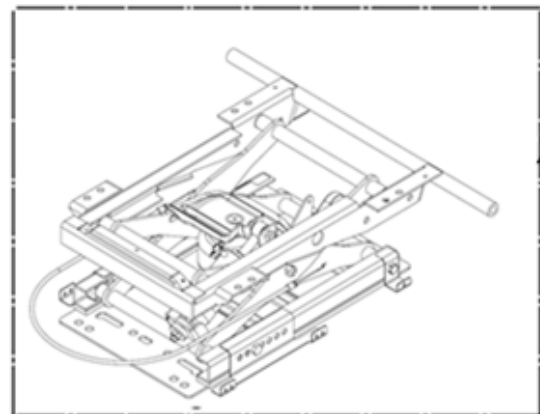
HIGH PROFILE SUSPENSION W/  
ISOLATION ASSEMBLY KIT



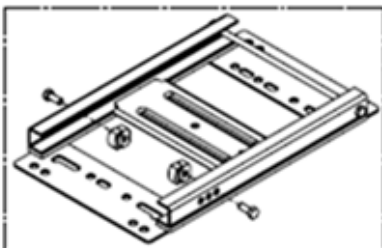
HIGH PROFILE SUSPENSION W/O  
ISOLATION ASSEMBLY KIT



SCISSOR AND ISOLATER ASSEMBLY KIT



LOW PROFILE SUSPENSION W/O ISOLATION ASSEMBLY KIT



LOW BASE PLATE ASSEMBLY KIT



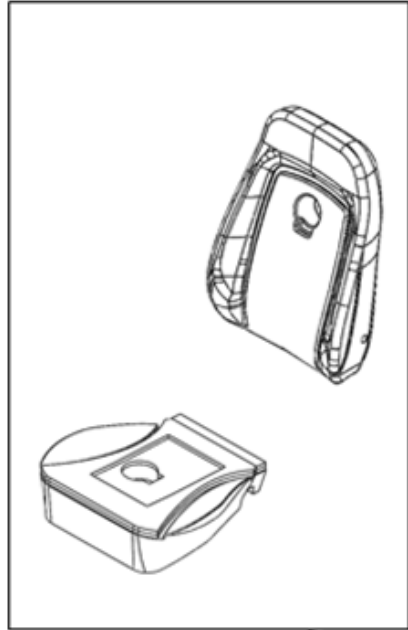
# ILLUSTRATED PARTS BREAKDOWN

HEAT AND VENT ASSEMBLY KIT

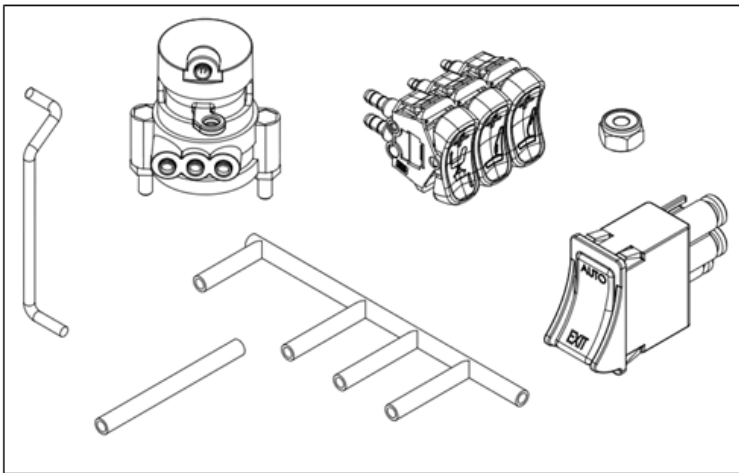


31

WR11 HEAT/VENT FOAM KIT

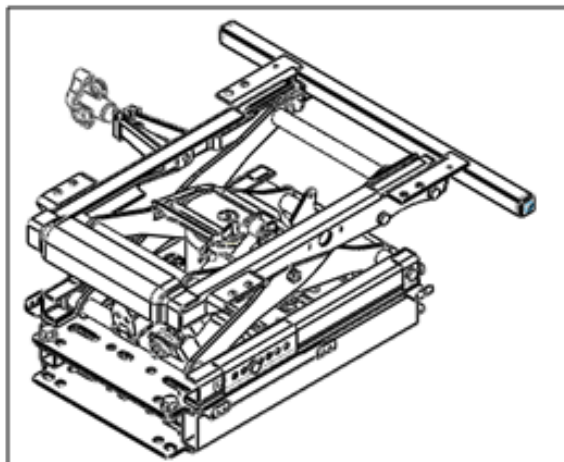


32



AUTOLEVEL VALVE KIT

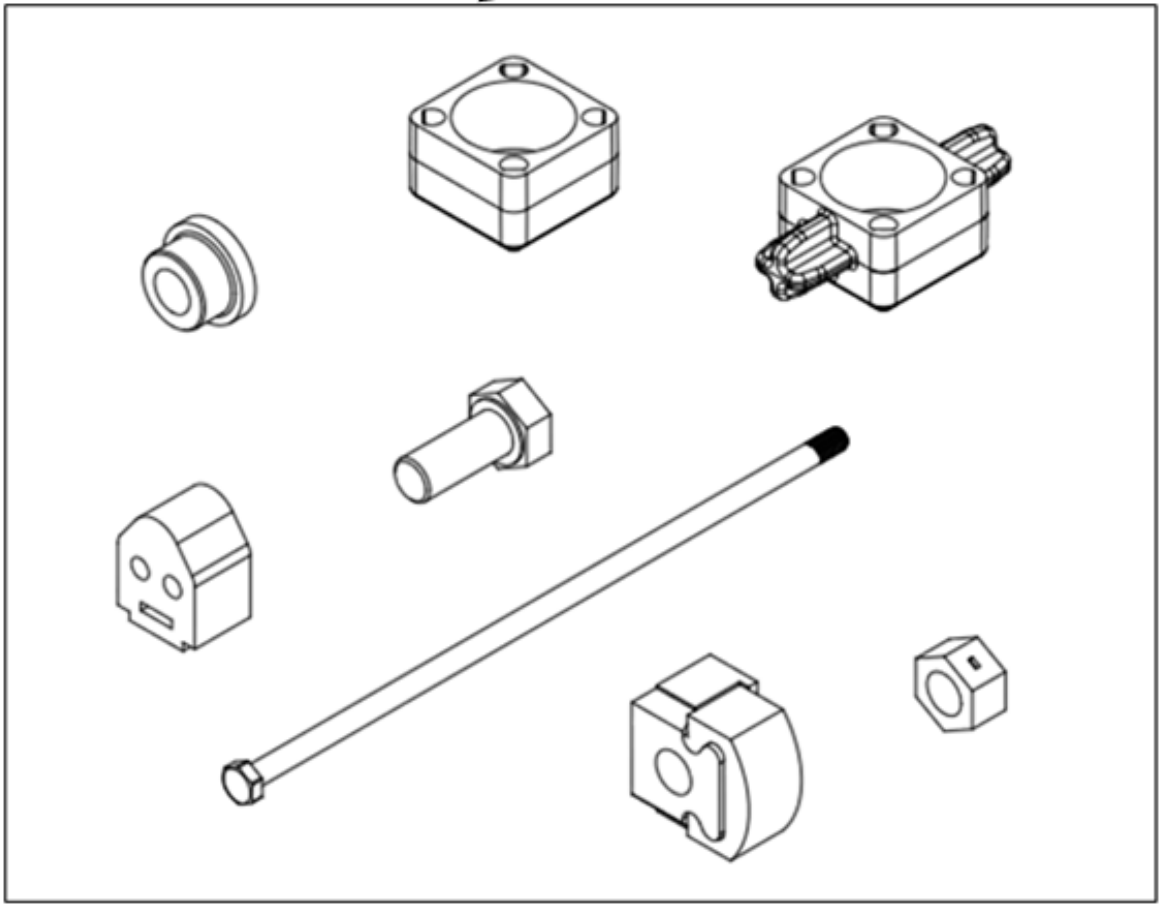
33



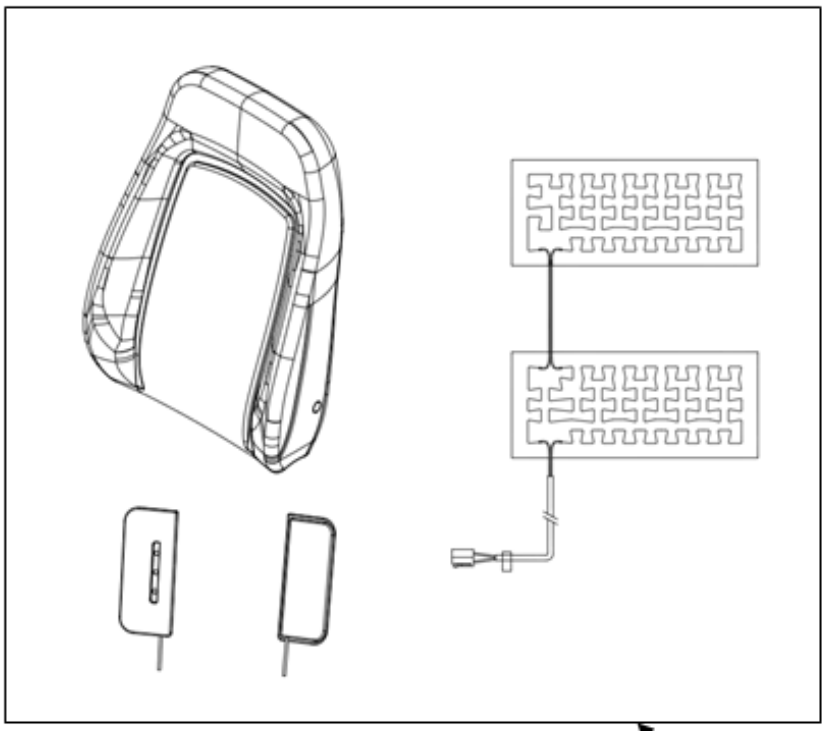
34

SUS AY WR2 HIPRO AUTO LEV

39

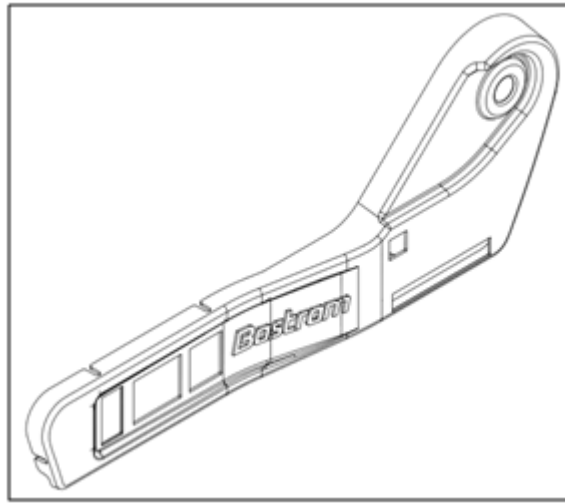


WIDE RIDE 2 SUSPENSION HARDWARE KIT



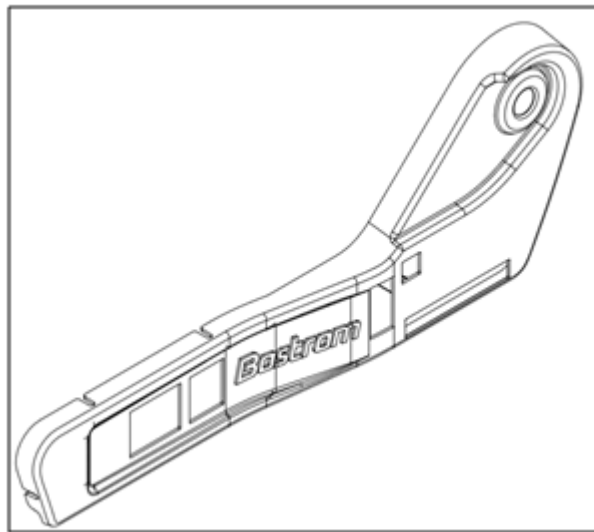
HEATER BACKFOAM KIT

40



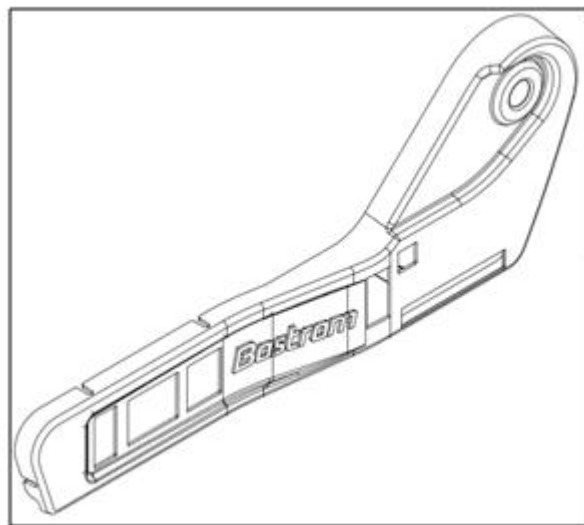
36

HEAT/VENT SIDE SHIELD KIT



37

AUTOLEVEL SIDE SHIELD KIT



38

SIDE SHIELD HEAT/VENT- AUTOLEVEL

# ILLUSTRATED PARTS BREAKDOWN

ITEM NO.	DESCRIPTION	PART NUMBER
1	HIGH PROFILE SUSPENSION W/ ISOLATION ASSEMBLY KIT	2421700-001
2	TRACK ASSEMBLY KI	6222288-001
3	DRIVER/PASSENGER SWIVEL ASSEMBLY KIT	6222289-001/002
4	SUSPENSION COVER KIT	6222290-001
5	HIGH BACK FOAM ASSEMBLY KIT	6224840-XXX
6	HIGH BACK FRAME ASSEMBLY KIT	6222291-001
7	CUSHION FRAME SUPPORT ASSEMBLY KIT	6222292-001
8	CUSHION FRAME ASSEMBLY KIT	6222293-001
9	CUSHION FOAM ASSEMBLY KIT	6224725-XXX
10	LUMBAR W/ BACK CYCLER KIT	6222294-001
11	RECLINER ASSEMBLY KIT	6222295-001
12	RECLINER STOP ASSEMBLY KIT	6222296-001
13	TILT KNOB KIT	6222297-001
14	SIDE SHIELD KIT	6222298-001
15	RECLINER HANDLE KIT	6204484-001
16	VALVES AND MANIFOLD KIT	6222299-001
17	MID BACK FOAM ASSEMBLY KIT	6224841-XXX
18	MID BACK FRAME ASSEMBLY KIT	6222316-001
19	ARMREST ASSEMBLY KIT	1234480-XXX
20	ARMREST ATTACHMENT HARDWARE KIT	6222117-001
21	SCISSOR AND ISOLATOR ASSEMBLY KIT	6222315-001
22	2 INCH RISER ASSEMBLY KIT	6222319-001
23	ADJUSTABLE SHOCK ABSORBER ASSEMBLY KIT	6222311-001
24	AIR SPRING ASSEMBLY KIT	6222318-001
25	SEAT CONTROL CABLE WITH BRACKET ASSEMBLY KIT	6222312-001
26	HIGH PROFILE SUSPENSION W/O ISOLATION ASSEMBLY KIT	2421701-001
27	LOW PROFILE SUSPENSION W/ ISOLATION ASSEMBLY KIT	2321263-001
28	LOW PROFILE SUSPENSION W/O ISOLATION ASSEMBLY KIT	2321264-001
29	SCISSOR AND NON ISOLATOR ASSEMBLY KIT	6222313-001
30	LOW BASE PLATE ASSEMBLY KIT	6222314-001
31	HEAT AND VENT ASSEMBLY KIT	6222327-001
32	WR11 HEAT/VENT FOAM KIT	6222342-001
33	AUTOLEVEL VALVE KIT	6222343-001
34	SUS AY WR2 HIPRO AUTO LEV	2421700-002
35	ISOLATOR LOCKOUT KNOB KIT	6222328-001
36	HEAT/VENT SIDE SHIELD KIT	6204801-004
37	AUTOLEVEL SIDE SHIELD KIT	6204801-005
38	SIDE SHIELD HEAT/VENT- AUTOLEVEL KIT	6204801-006
39	WIDE RIDE 2 SUSPENSION HARDWARE KIT	6222340-001
40	HEATER BACKFOAM KIT	622339-XXX